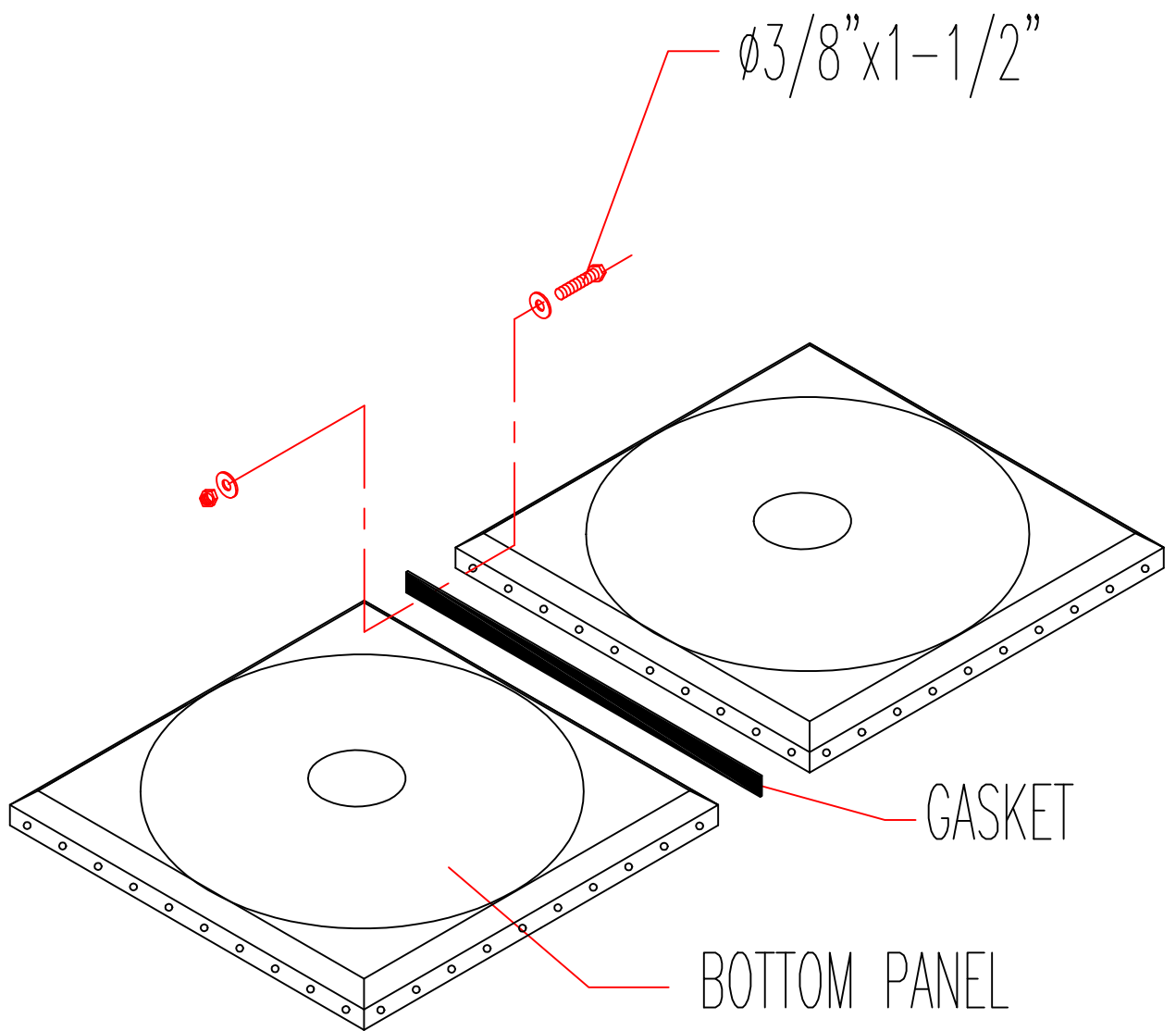


# SMC Water Tanks



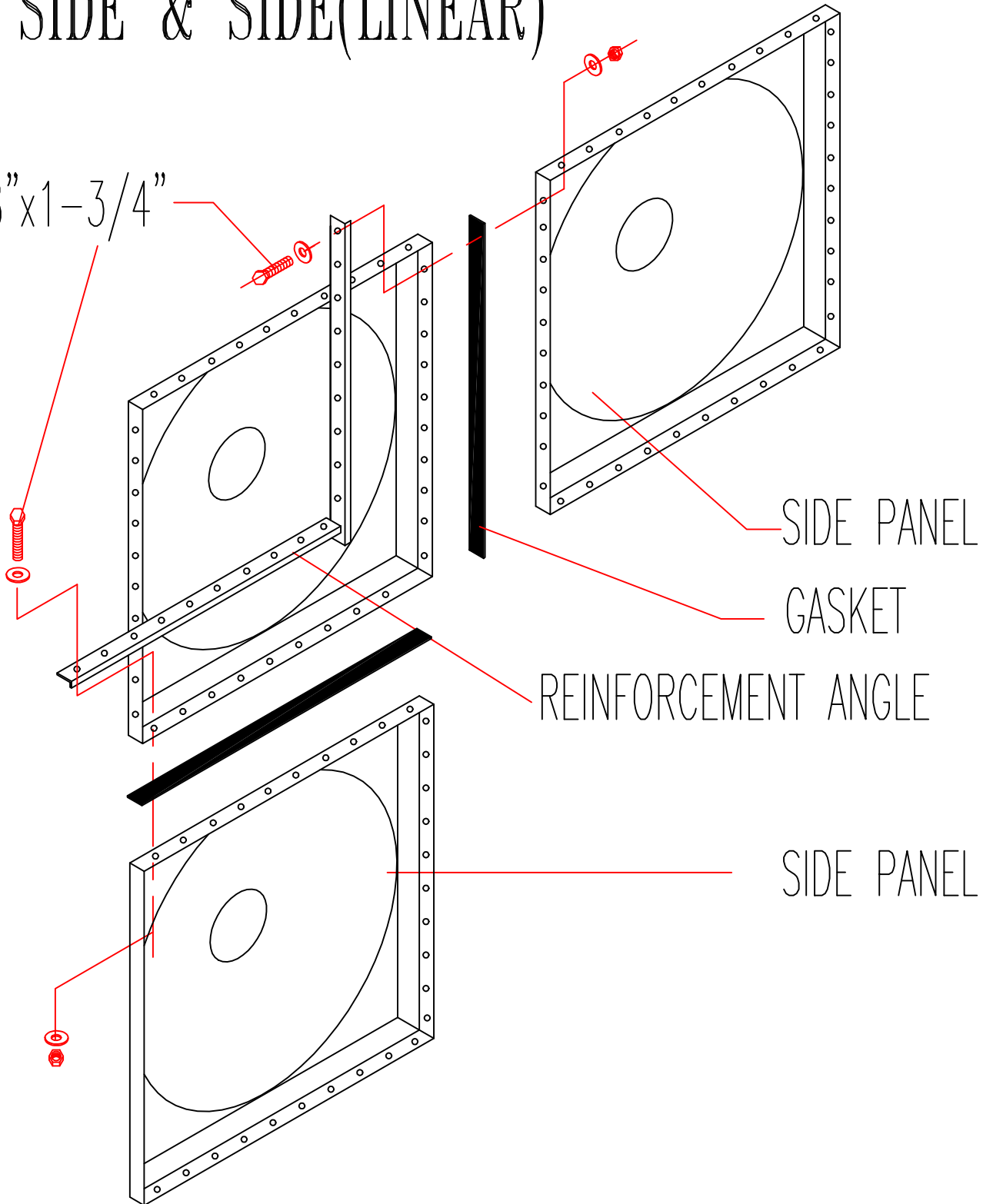
## SMC INSTALLATION GUIDE

# 1 BOTTOM & BOTTOM

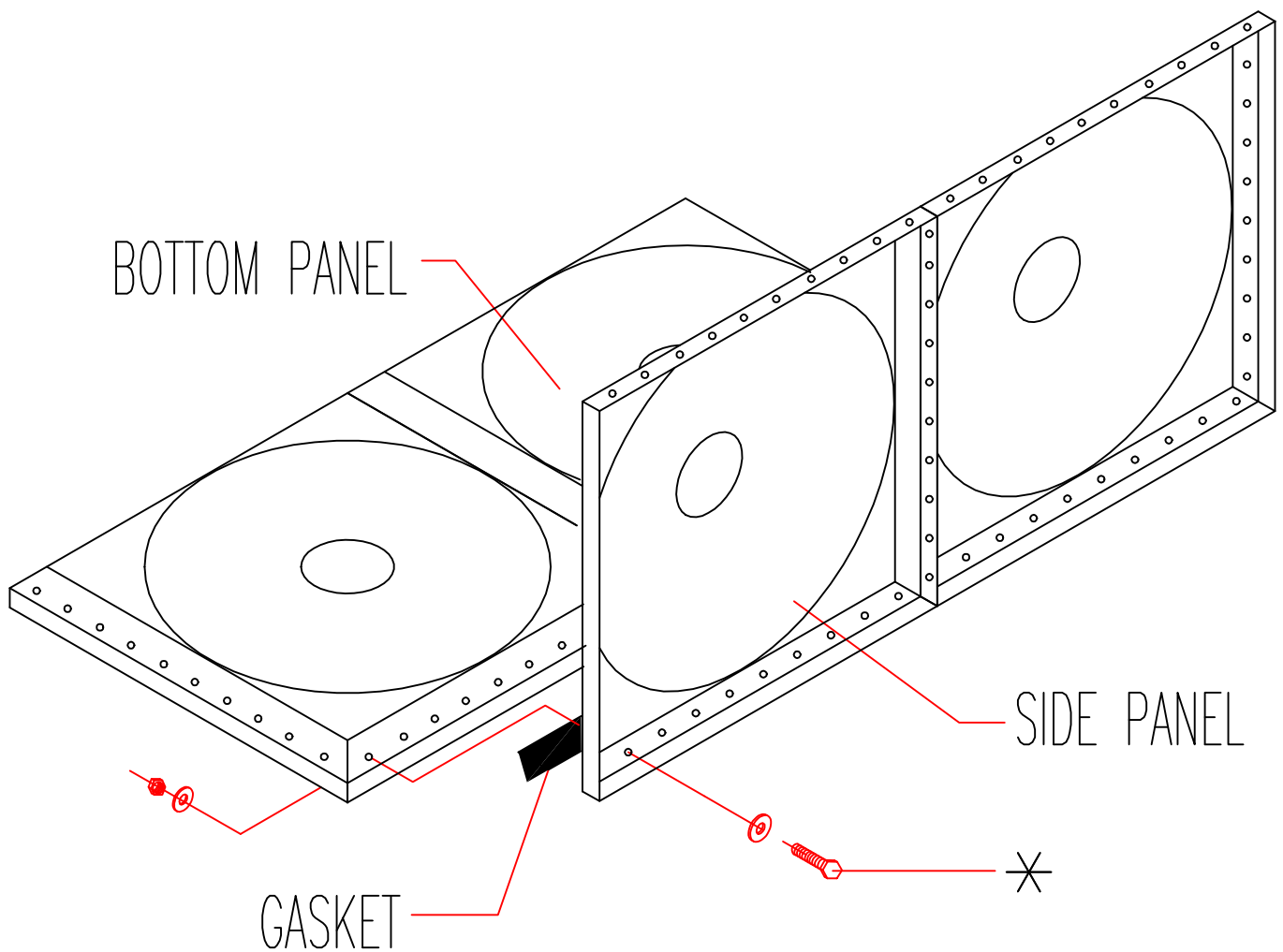


## ② SIDE & SIDE(LINEAR)

$\phi 3/8" \times 1-3/4"$



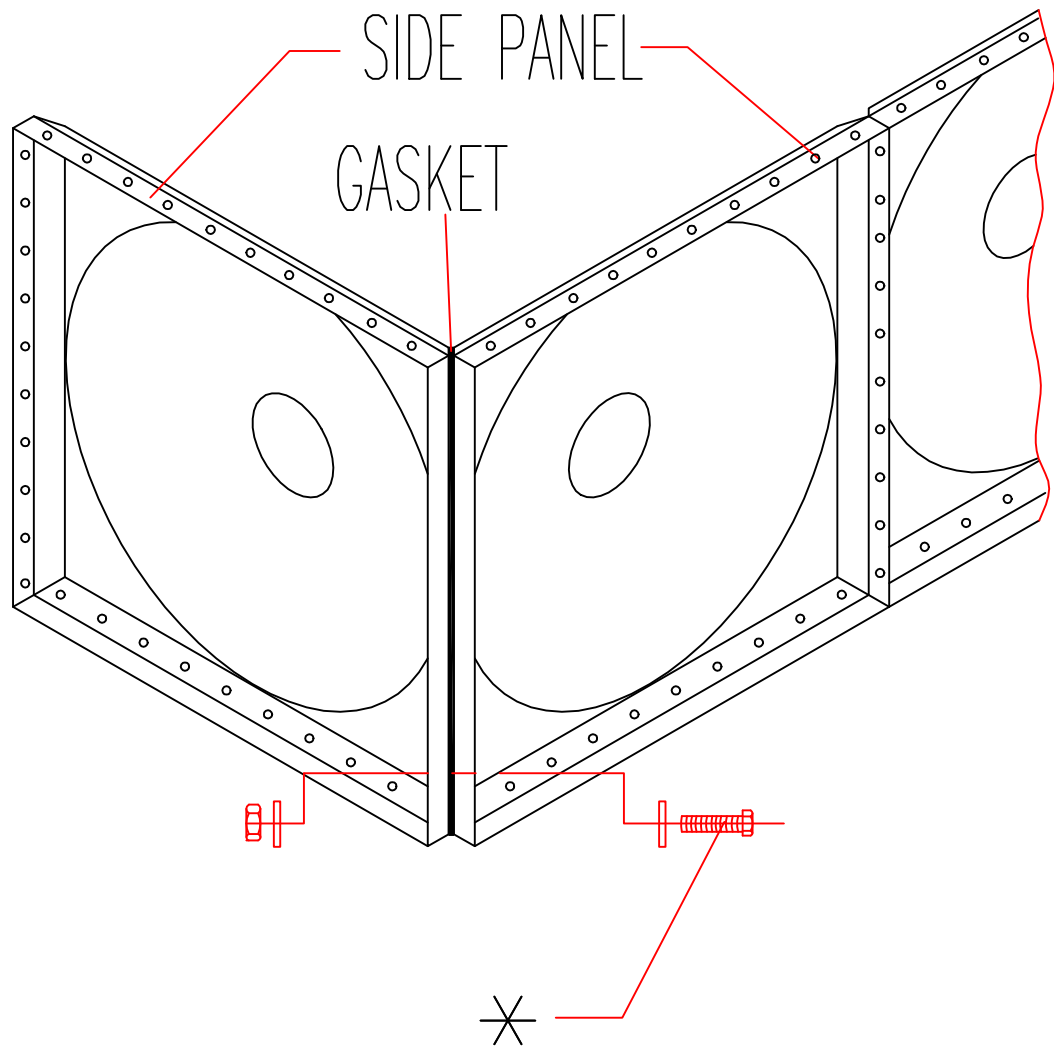
# 3 BOTTOM & SIDE



\* BOLT SIZE:

HEIGHT	SIZE
2~3m	$\phi 3/8'' \times 1-3/4''$
1~1.5m	$\phi 3/8'' \times 1-1/2''$

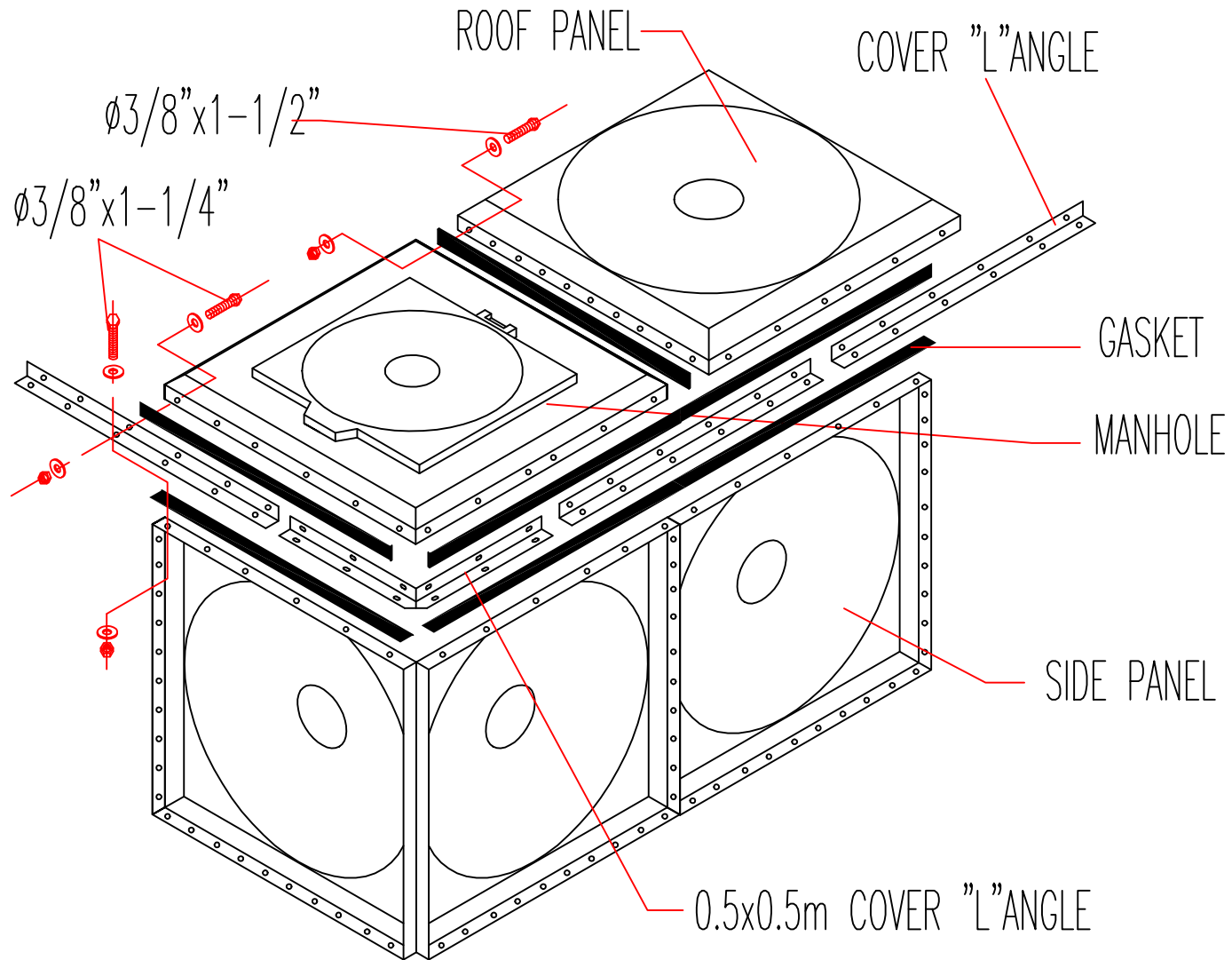
# ④ SIDE & SIDE(CORNER)



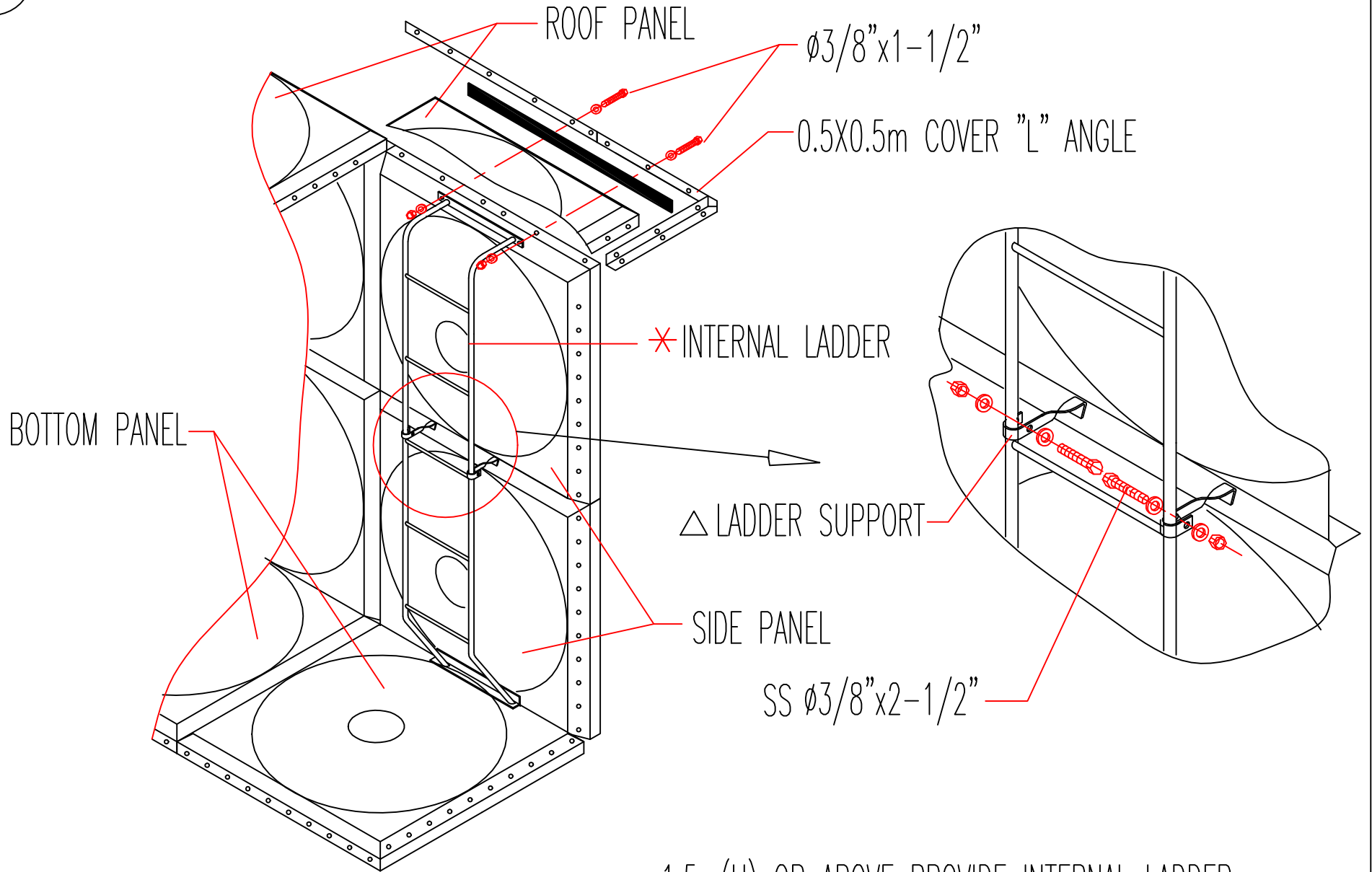
\* BOLT SIZE:

HEIGHT	BOTTOM	MIDDLE	TOP
3m	$\phi 3/8'' \times 1-3/4''$	$\phi 3/8'' \times 1-3/4''$	$\phi 3/8'' \times 1-1/2''$
2.5m	$\phi 3/8'' \times 1-3/4''$	$\phi 3/8'' \times 1-3/4''$	$\phi 3/8'' \times 1-1/2''$
2m	$\phi 3/8'' \times 1-1/2''$	—————	$\phi 3/8'' \times 1-1/2''$
1~1.5m	$\phi 3/8'' \times 1-1/2''$	—————	$\phi 3/8'' \times 1-1/2''$

5 ROOF & ROOF & SIDE

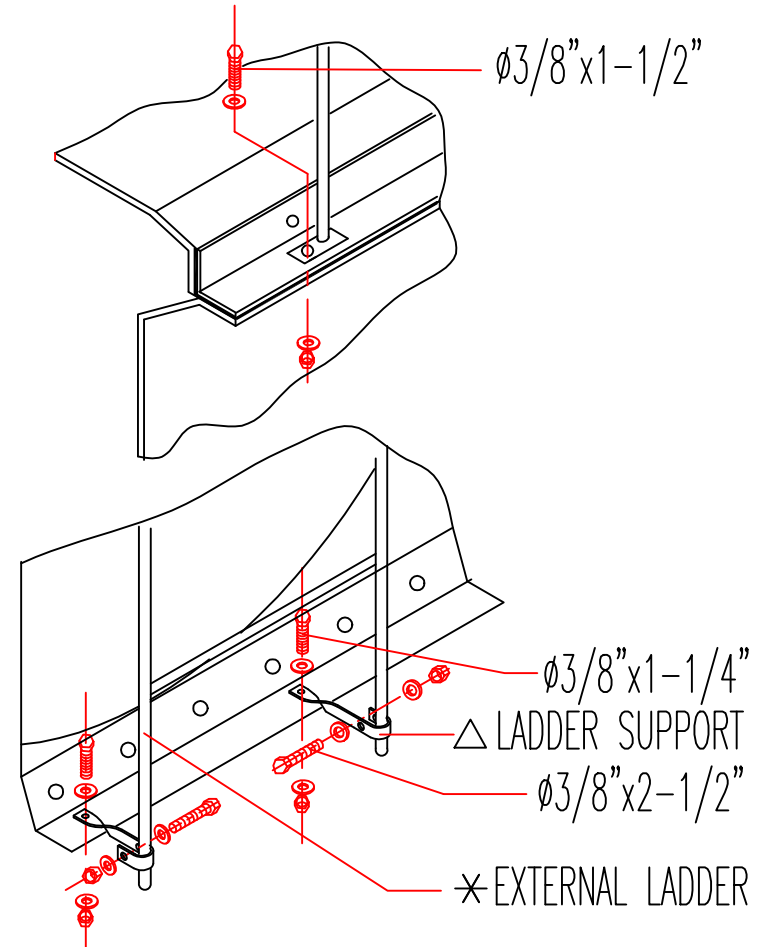
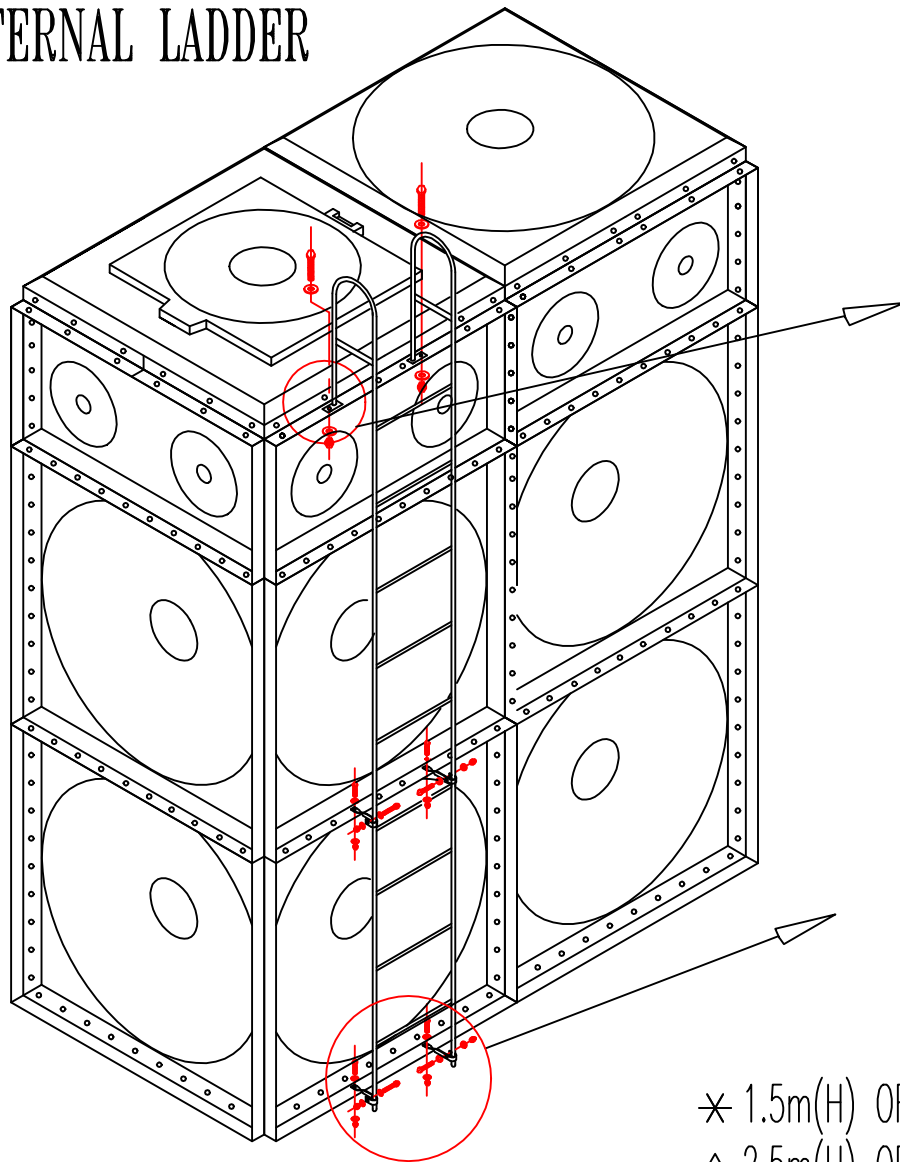


# 6 INTERNAL LADDER



\* 1.5m(H) OR ABOVE PROVIDE INTERNAL LADDER.  
△ 2m(H) OR ABOVE PROVIDE INTERNAL LADDER SUPPORT.

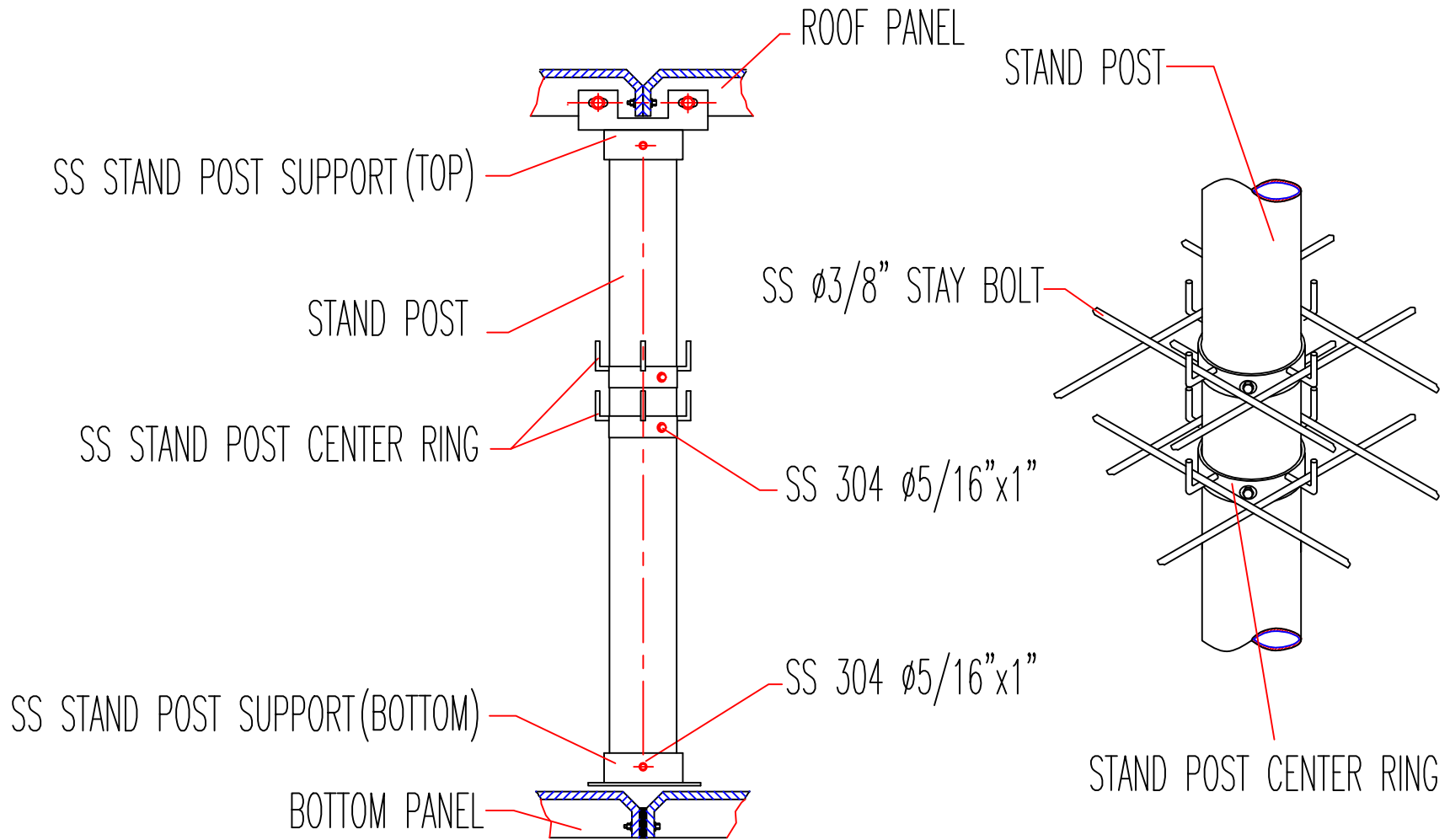
# 7 EXTERNAL LADDER



\* 1.5m(H) OR ABOVE PROVIDE EXTERNAL LADDER.  
 $\Delta$  2.5m(H) OR ABOVE PROVIDE 2 SETS EXTERNAL LADDER SUPPORT.

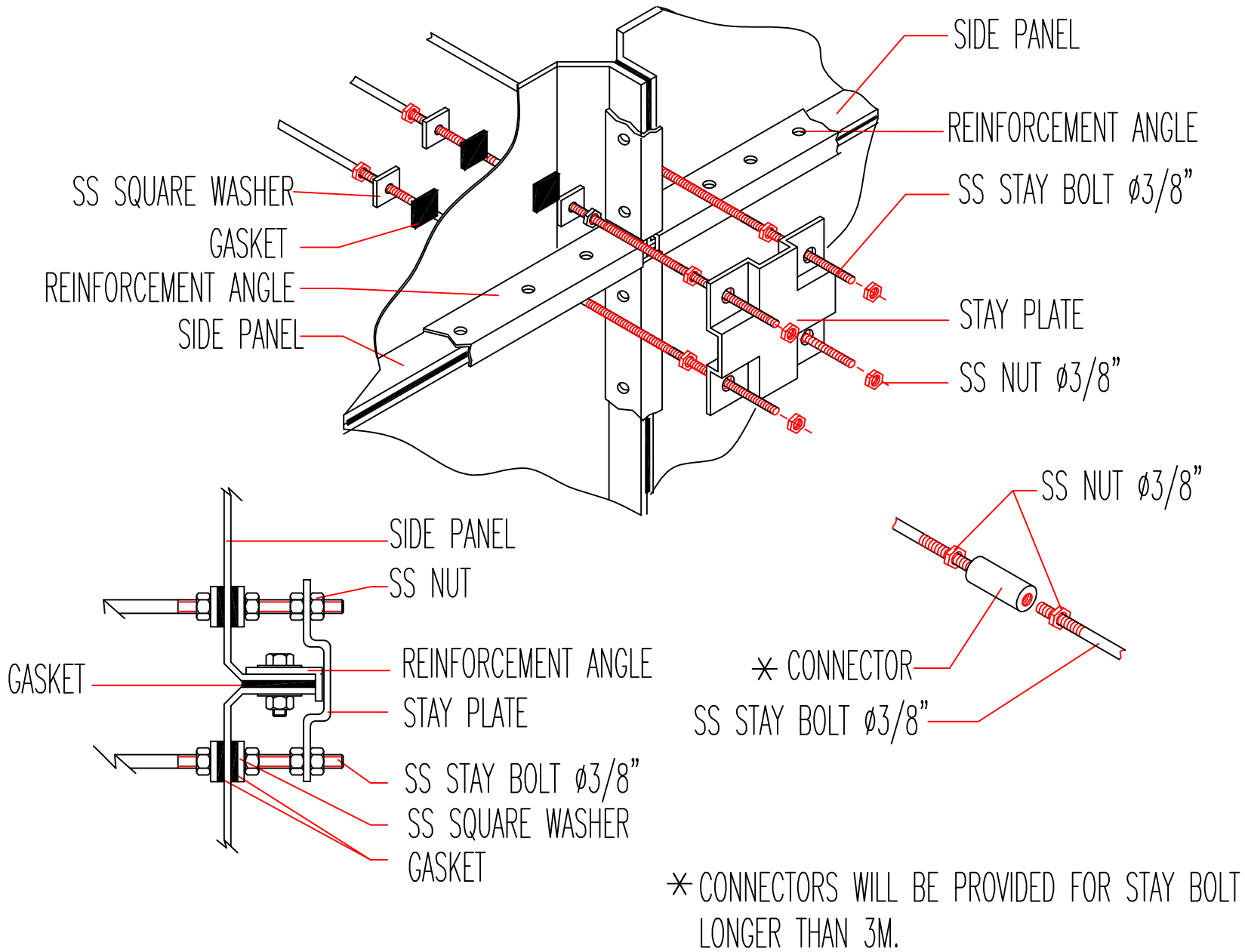


# 8 STAND POST

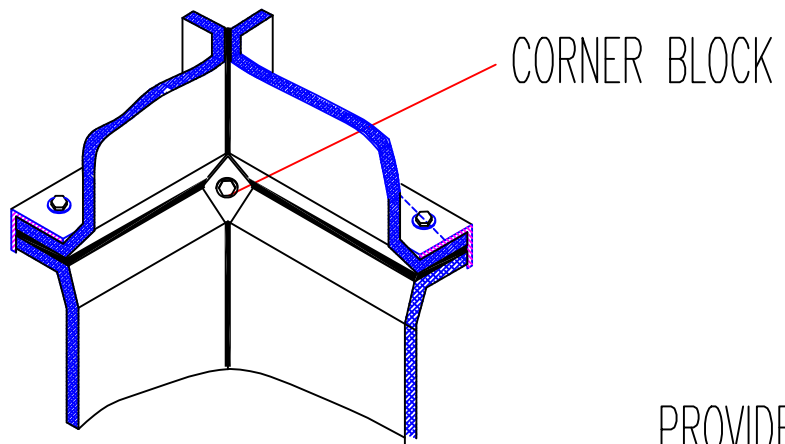
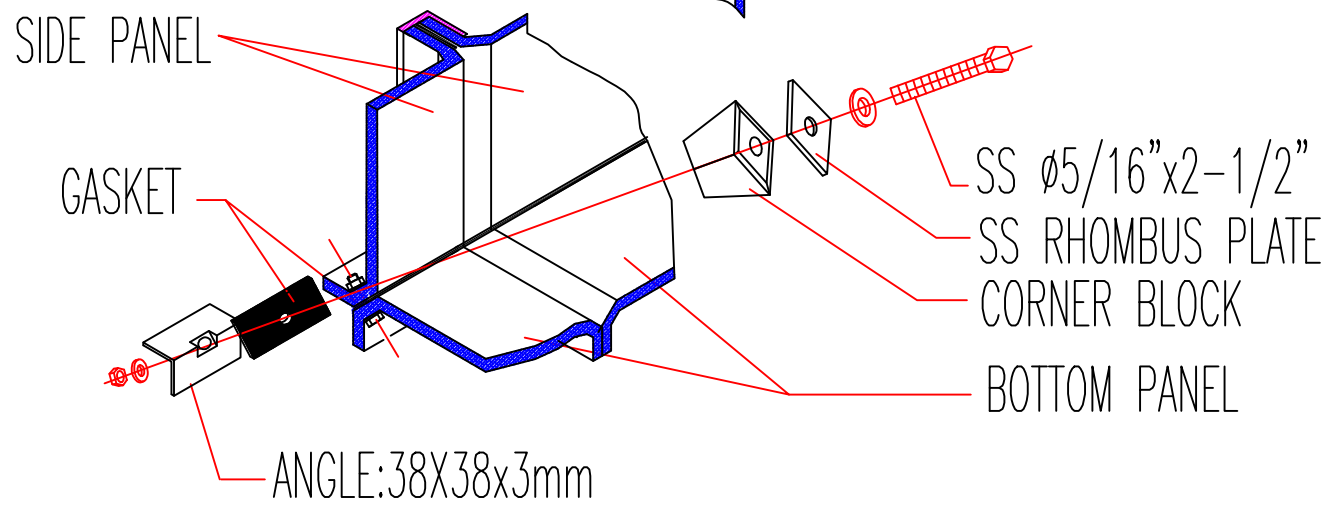
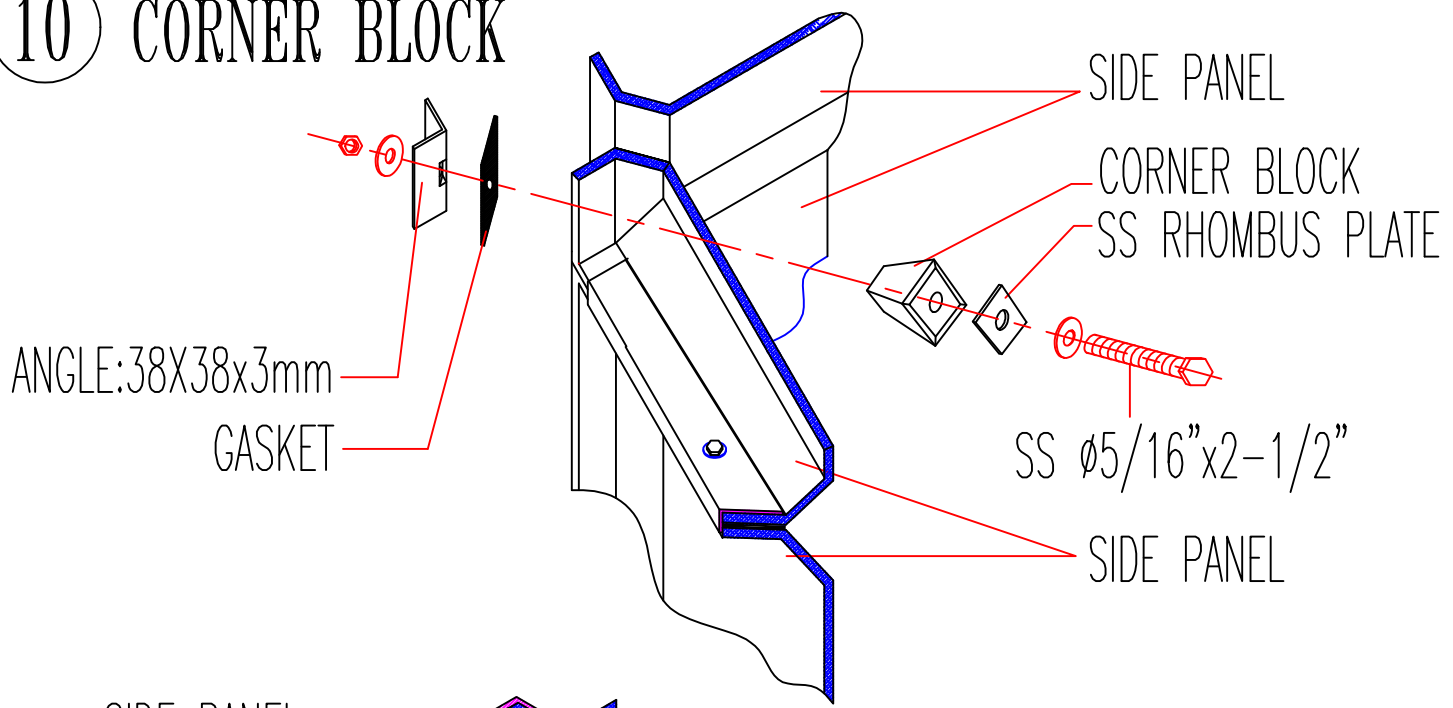


PROVIDED WHEN NECESSARY

# 9 STAY BOLT

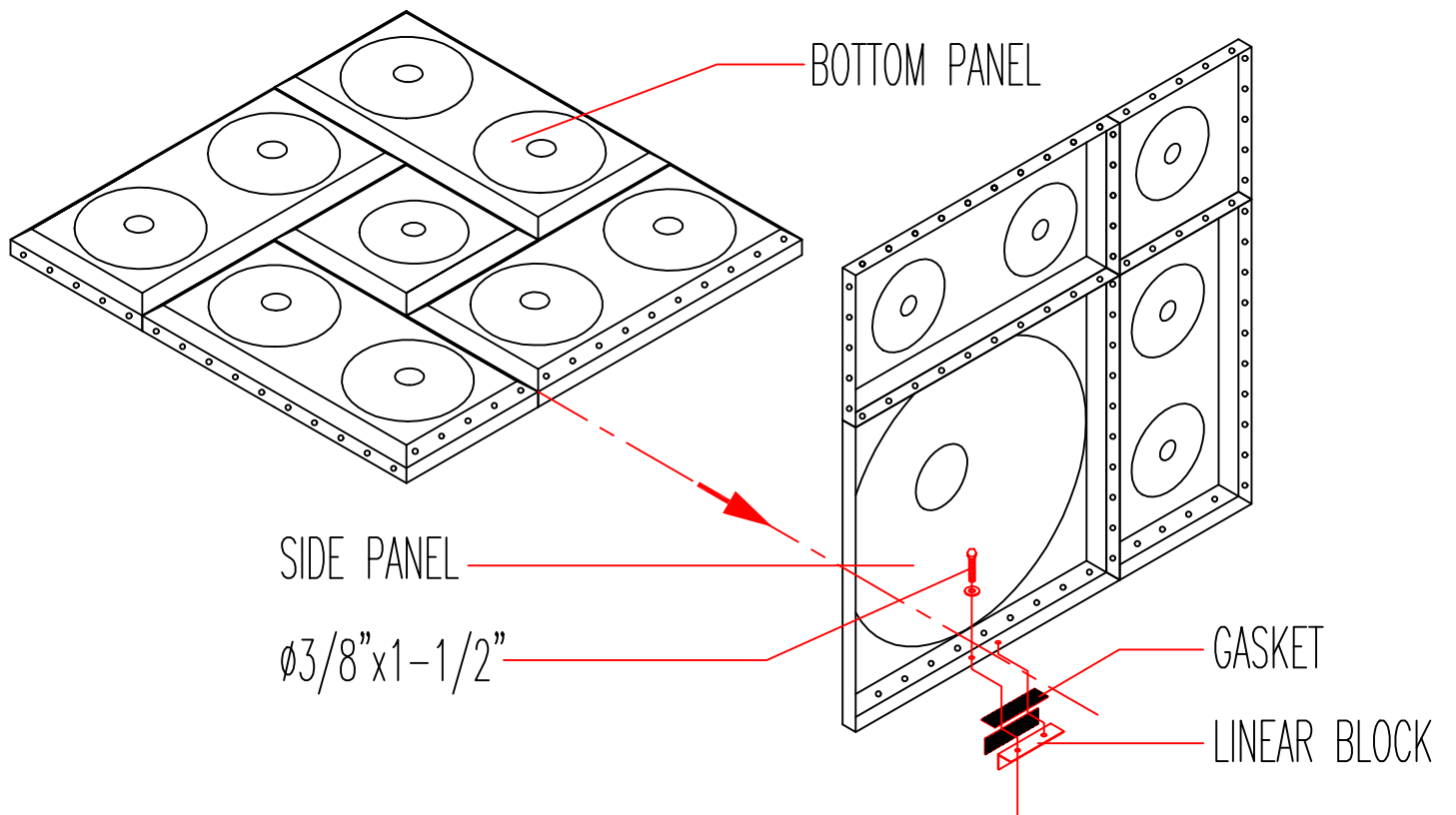


# 10 CORNER BLOCK



PROVIDED WHEN NECESSARY

11 LINEAR BLOCK



PROVIDED WHEN NECESSARY

12

# SIDE PANEL GASKET

